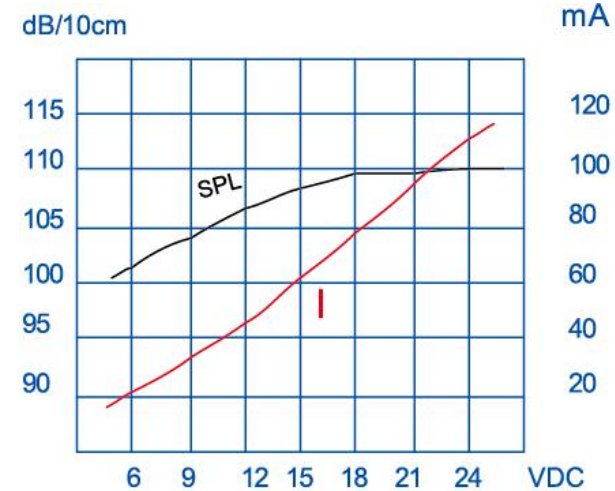


Product Code:

LPB4221BW1403-GA-12-R

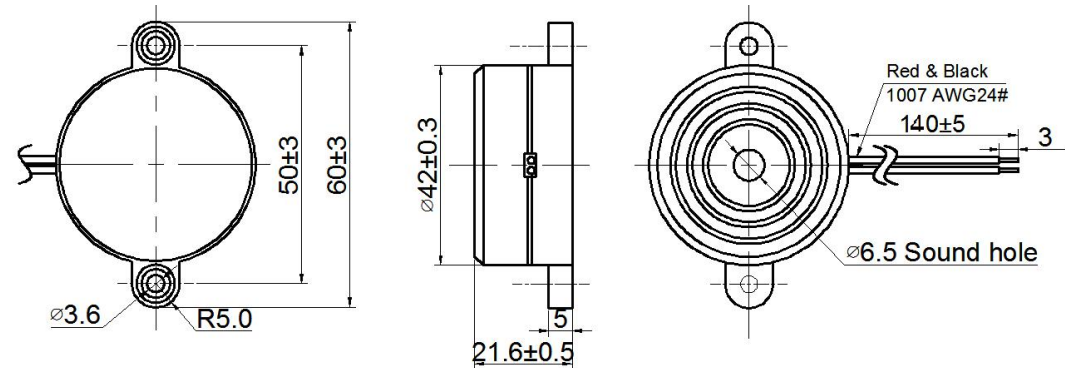

Picture:

SPL & Current Consumption vs. Input Voltage:

Specification:

Rated Voltage	(VDC)	12
Operating Voltage	(VDC)	3~15
*Rated Current	(mA)	≤95
*Sound Output at 30cm	(dB)	≥100
*Resonance Frequency	(KHz)	2.8±0.5
Tone		Siren
Operating Temperature	(°C)	-20~+70
Storage Temperature	(°C)	-30~+80
Weight	(g)	20
Housing Material		ABS
RoHS		Yes

Dimensions (Unit: mm)

Tolerance: ±0.5mm Except Specified


Remark: The special requirements in the test for no anti reverse connection.

*Value applying at rated voltage.

Test basic state: Temp(20±2°C) , Humidity(40~70%RH) , Air pressure(860~1060hPa).