

Product Code:

LPF3016AZ-GB-12-3.25-R

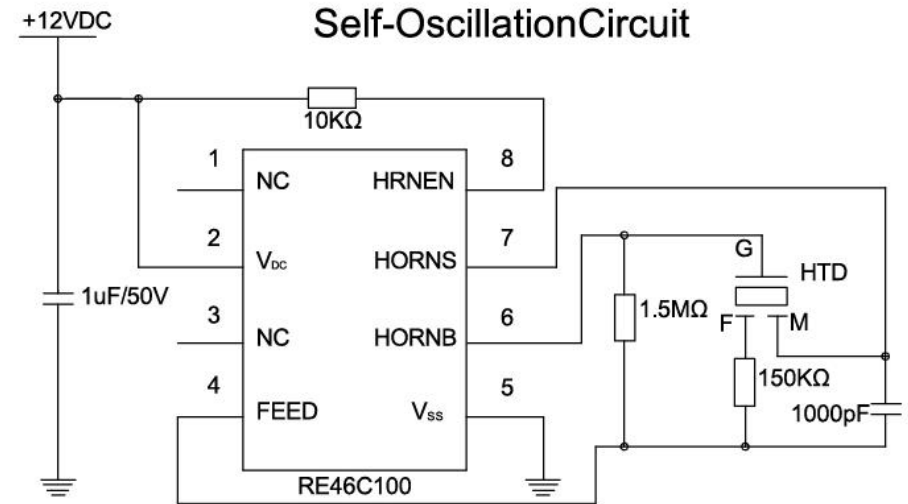

Picture:

Specification:

Rated Voltage	(VDC)	12
Operating Voltage	(VDC)	5.5~12
*Rated Current	(mA)	≤30
*Sound Output at 300cm	(dB)	≥85
*Resonance Frequency	(KHz)	3.25±0.5
Operating Temperature	(°C)	-40~+85
Storage Temperature	(°C)	-40~+90
Weight	(g)	6.3
Housing Material		PBT
RoHS		Yes

*Value applying at rated voltage.

Test basic state: Temp(20±2°C) , Humidity(40~70%RH) , Air pressure(860~1060hPa).

Test Self-Oscillation Circuit

Dimensions (Unit: mm)

Tolerance: ±0.5mm Except Specified

