

Product Code:

LPF3917B-GB-09-3.4-R


 RoHS
Compliant

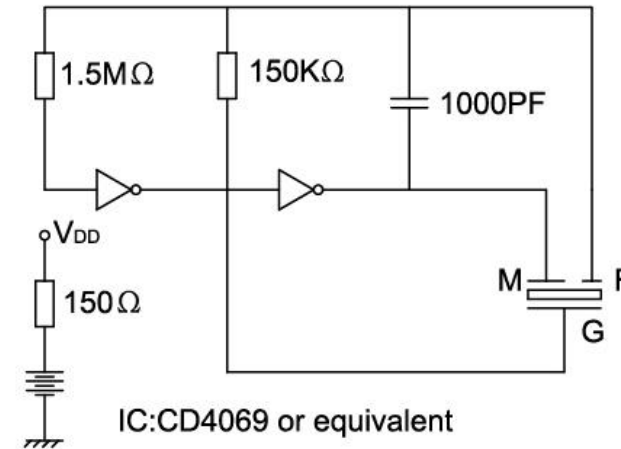
Picture:

Specification:

Rated Voltage	(VDC)	9
Operating Voltage	(VDC)	3~28
*Rated Current	(mA)	≤9
*Sound Output at 30cm	(dB)	≥95
*Resonance Frequency	(KHz)	3.4±0.3
Operating Temperature	(°C)	-20~+70
Storage Temperature	(°C)	-30~+80
Weight	(g)	10.3
Housing Material		PBT
RoHS		Yes

*Value applying at rated voltage.

Test basic state: Temp(20±2°C) , Humidity(40~70%RH) , Air pressure(860~1060hPa).

Test Self-Oscillaton Circuit
Self-Oscillation Circuit

Dimensions (Unit: mm)

Tolerance: ±0.5mm Except Specified

