

Product Code:

LPF4013AZ-GO-07-3.25-R

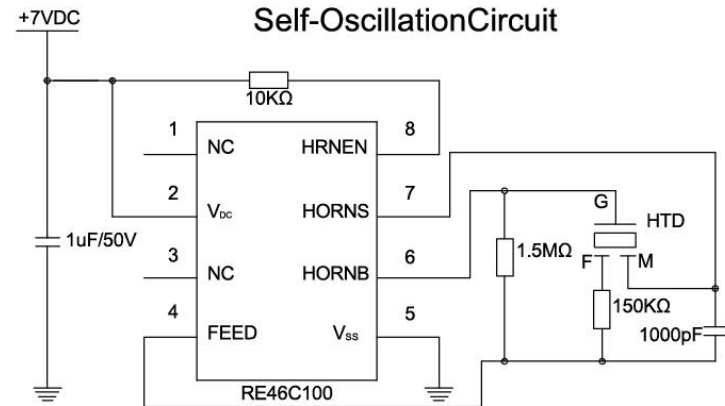

Picture:

Specification:

Rated Voltage	(VDC)	7
Operating Voltage	(VDC)	5.5~12
*Rated Current	(mA)	≤30
*Sound Output at 300cm	(dB)	≥90
*Resonance Frequency	(KHz)	3.25±0.25
Operating Temperature	(°C)	-20~+70
Storage Temperature	(°C)	-30~+80
Weight	(g)	9.2
Housing Material		PPO
RoHS		Yes

*Value applying at rated voltage.

Test basic state: Temp(20±2°C) , Humidity(40~70%RH) , Air pressure(860~1060hPa).

Test Self-Oscillation Circuit

Dimensions (Unit: mm)

Tolerance: ±0.5mm Except Specified

